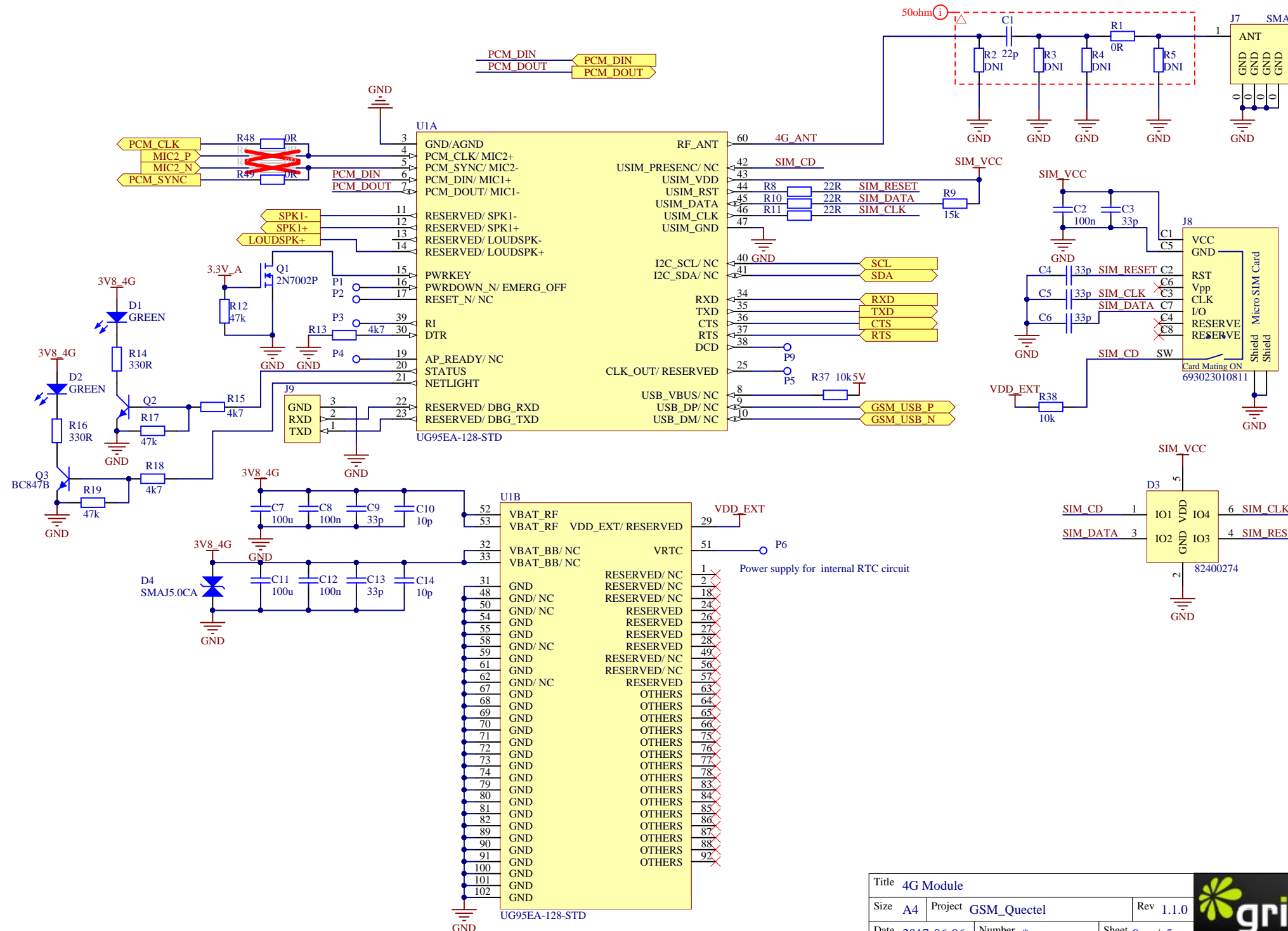


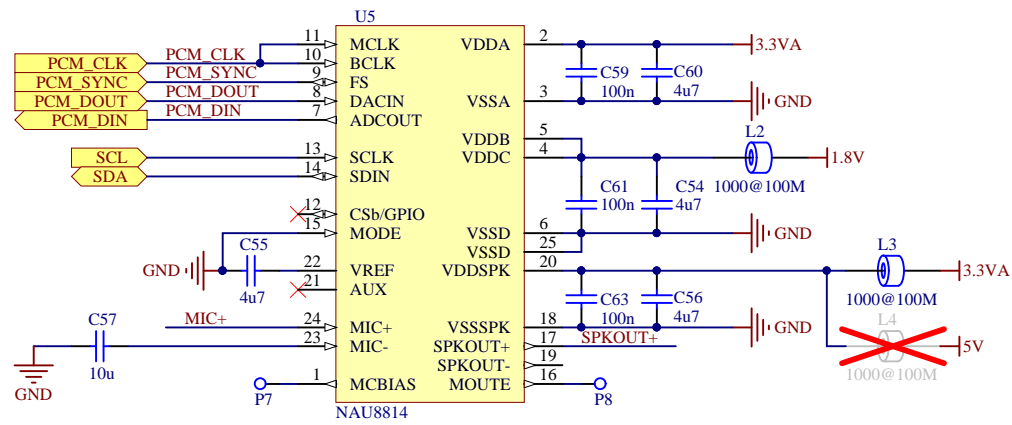
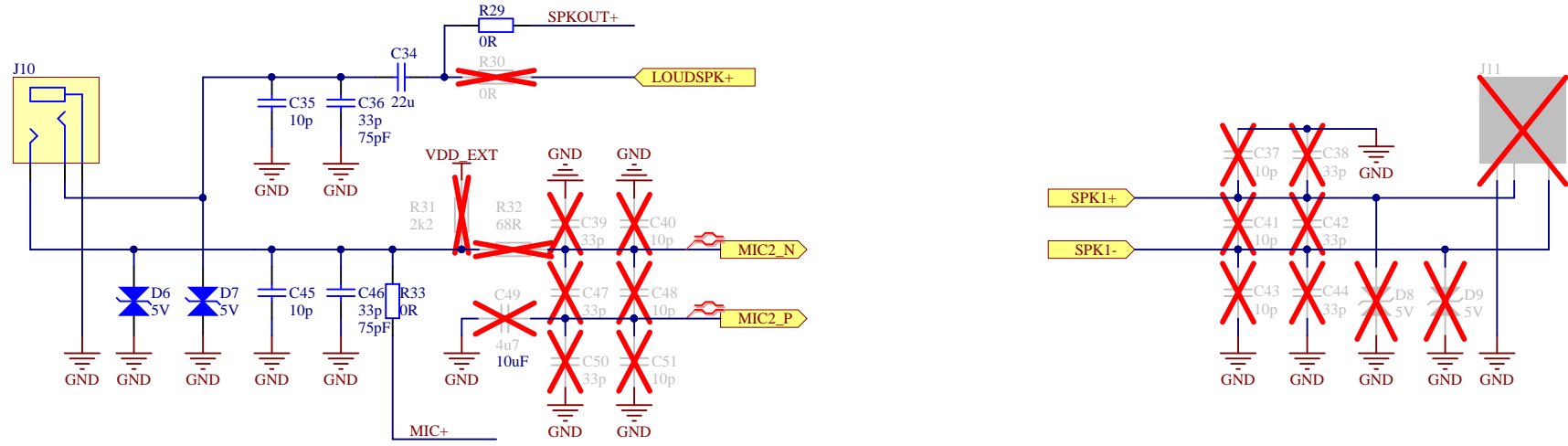
| | | | |
|-------|------------|---------|-------------|
| Title | | Power | |
| Size | A4 | Project | GSM_Quectel |
| Date | 2017-06-06 | Rev | 1.1.0 |
| | | Number | * |
| | | Sheet | 9 / 5 |

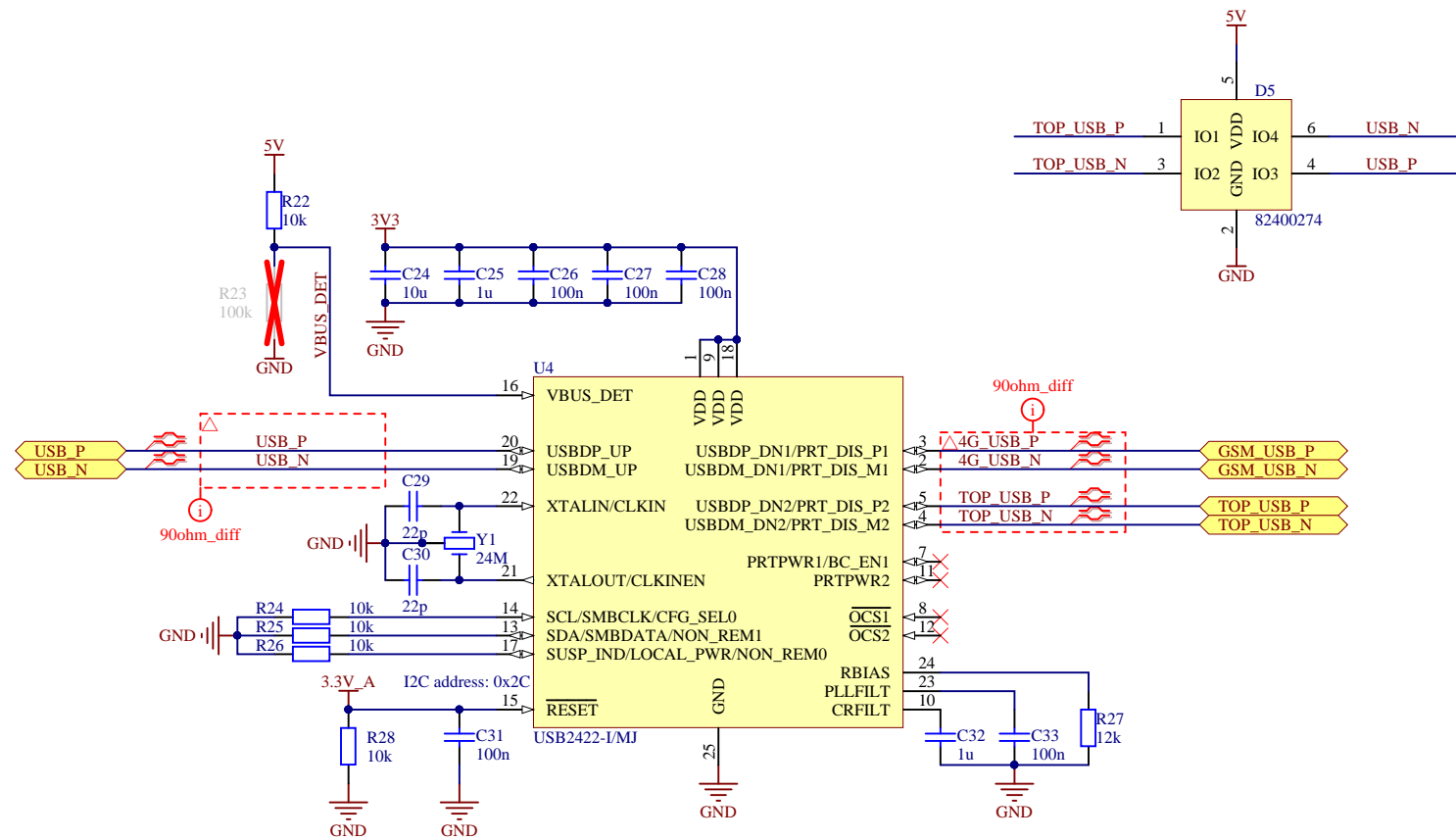




EARPHONE

SPEAKER





| | | | |
|-------|------------|------------------|-------------|
| Title | | USB Switch & Hub | |
| Size | A4 | Project | GSM_Quectel |
| Date | 2017-06-06 | Rev | 1.1.0 |
| | | Number | * |
| | | Sheet | 10 / 5 |

