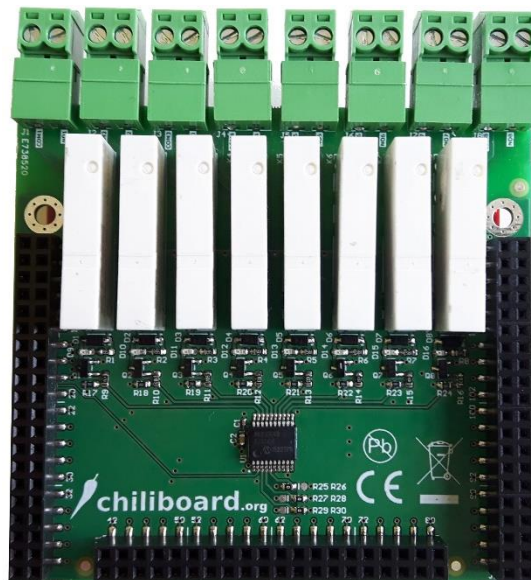


chiliboard Relay Sandwich



V1.1
GRINN 2017

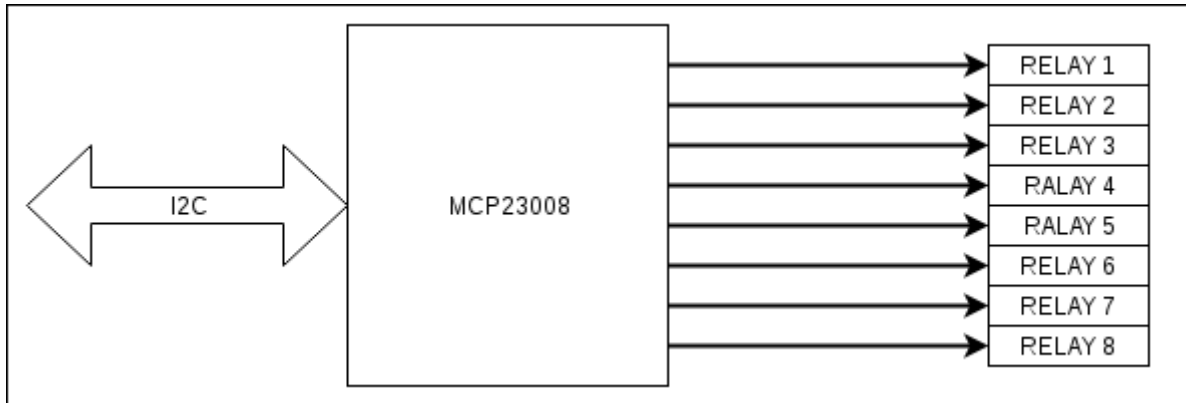
1. Features

1.1. Key features

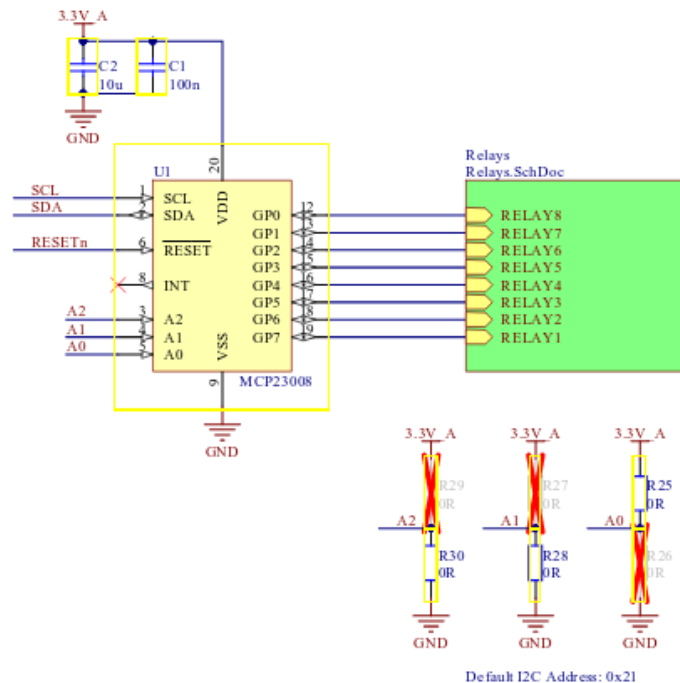
- Suitable for both: chiliboard and liteboard
- 8 relays (RELPOL RM699BV-3011-85-1005):
 - Contacts configuration: SPDT
 - Rated coil voltage: 5V DC
 - AC contacts rating: 6A/250VAC
 - DC contacts rating: 6A/24VDC
 - Contact current max: 6A
 - Switched voltage: max 24V DC, max 400 V DC
- Operating temperature range (C): -40 to 85

2. Functional Description

2.1. Block Diagram

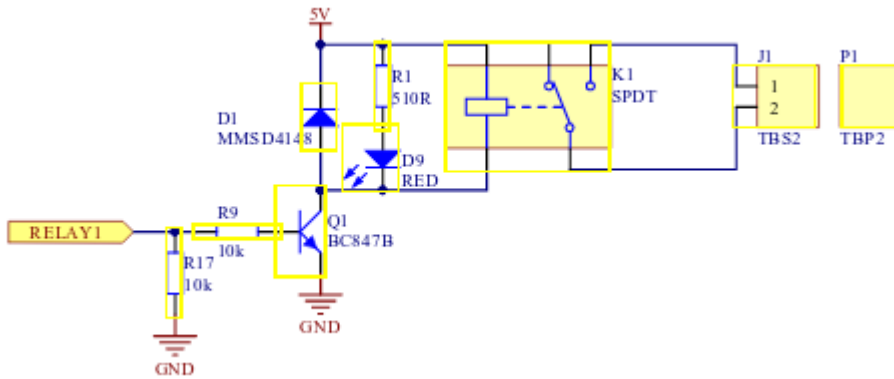


2.2. I/O expander block



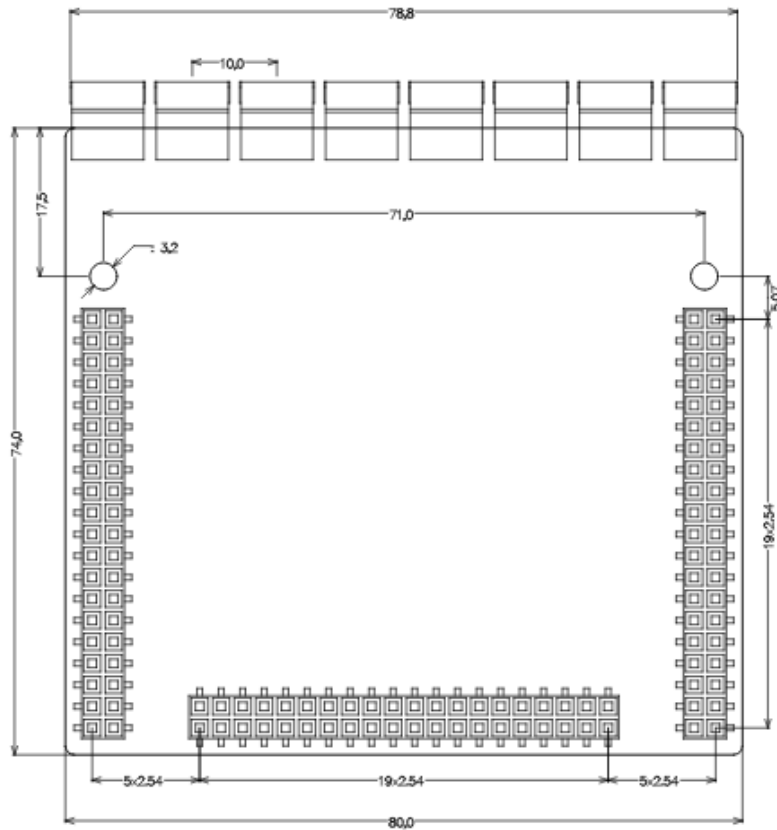
More informations about I/O expander is available on the Microchip page:
ww1.microchip.com/downloads/en/DeviceDoc/21919e.pdf

2.3. Relay block



More informations about Relay is available on the manufacturer page:
<http://www.repol.pl/Produkty/Przekazniki-Miniaturowe/Przekaznik-RM699B/2613695-RM699BV-3011-85-1005>

2.4. Dimensions



More information is available the wiki page: <http://wiki.chilisom.grinn-global.com>
 Order number: GEB.REL.01.01/

2.5. Connectors description

| Signal name | Connector | Pin | Description |
|-------------|-----------|-----|-------------|
| I2C SCL | J13 | 15 | I2C clock |
| I2C SDA | J13 | 18 | I2C data |
| RESETn | J12 | 34 | reset |

Grinn sp. z o.o.

POLAND

ul. Wagonowa 2

53-609 Wrocław

t. +48 71 716 40 99

m. office@grinn-global.com

www.grinn-global.com

© Copyright 2017 Grinn

All rights reserved. No part of this document may be photocopied or recorded on any electronic media without written permission of Grinn. The information contained in this documentation is subject to change without prior notice. We assume no liability for erroneous information or its consequences. Grinn reserves the right to change details in this publication without notice. Grinn makes no representations or warranties with respect to the accuracy or completeness of the contents of this document and reserves the right to make changes to specifications and products descriptions at any time without notice. Grinn does not make any commitment to update the information contained herein. Trademarks used from other companies refer exclusively to the products of those companies. Product and company names herein may be the trademarks of their respective owners.