

Title		Block Diagram	
Size	A4	Project	chiliboard Professional
Date	2016-03-31	Rev	1.1.0
		Number	*
		Sheet	1 / 6



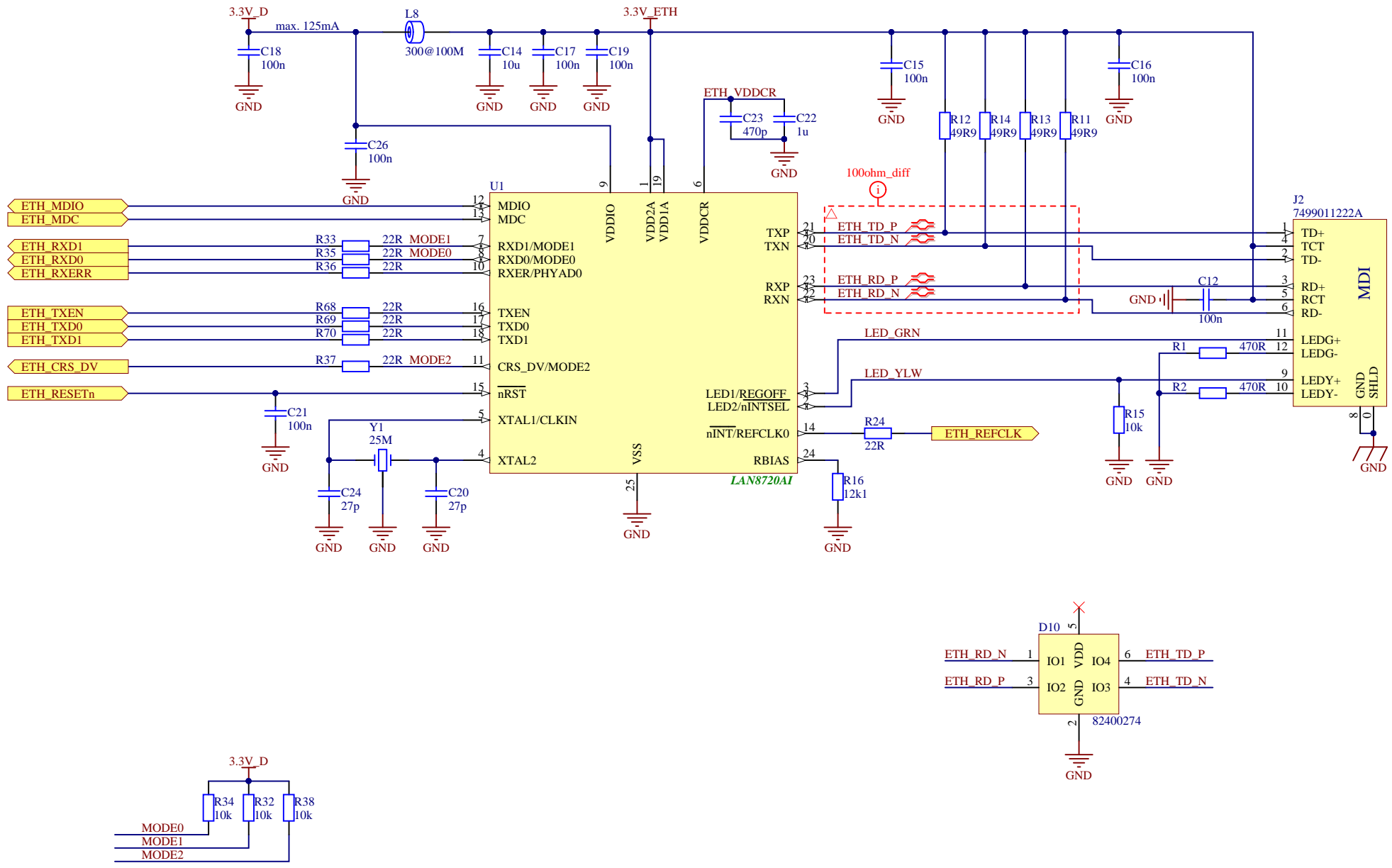


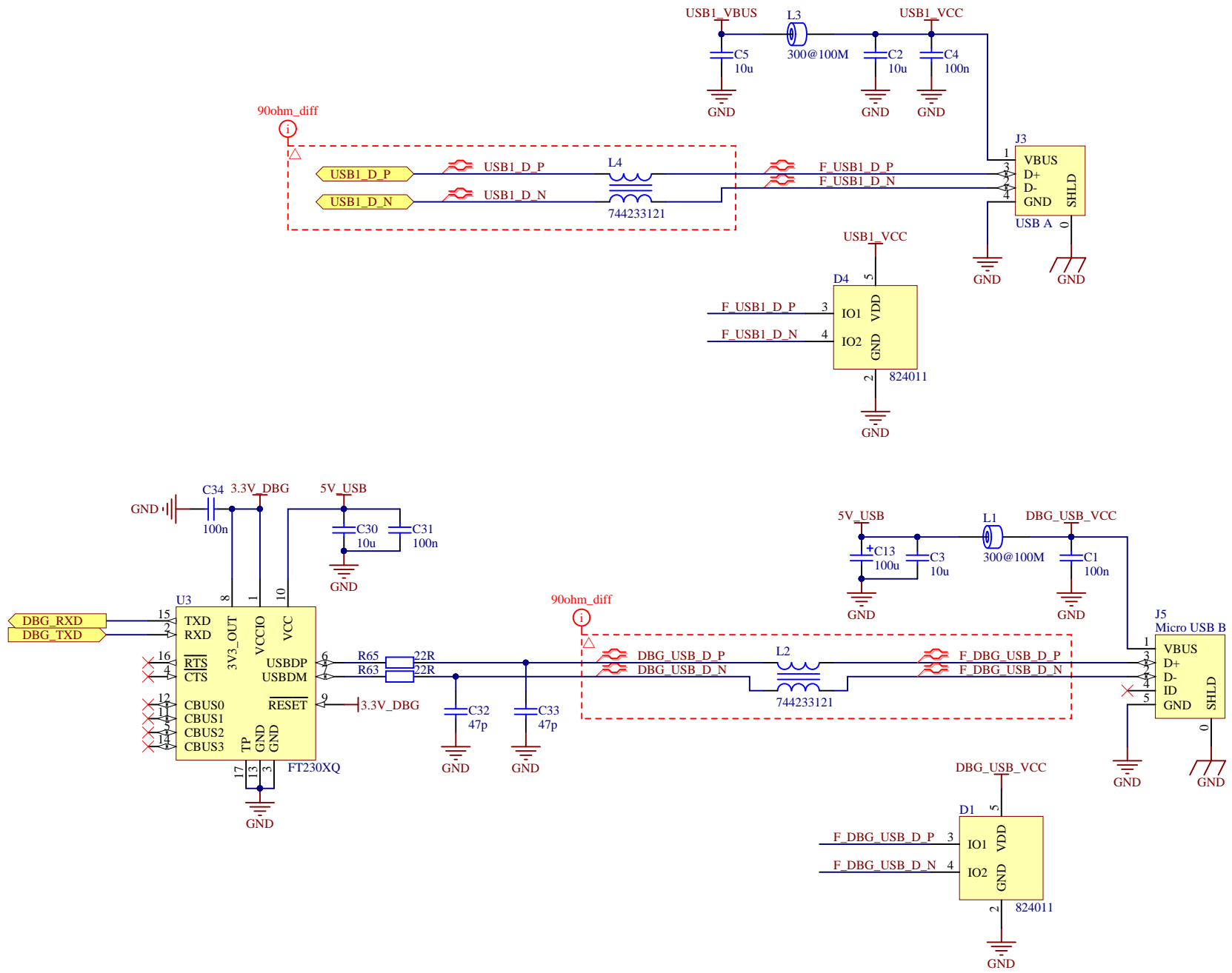
A

B

C

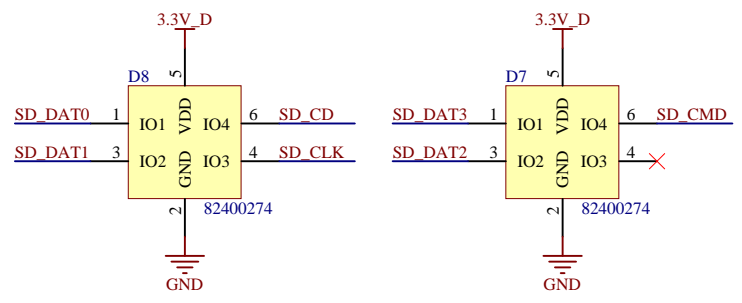
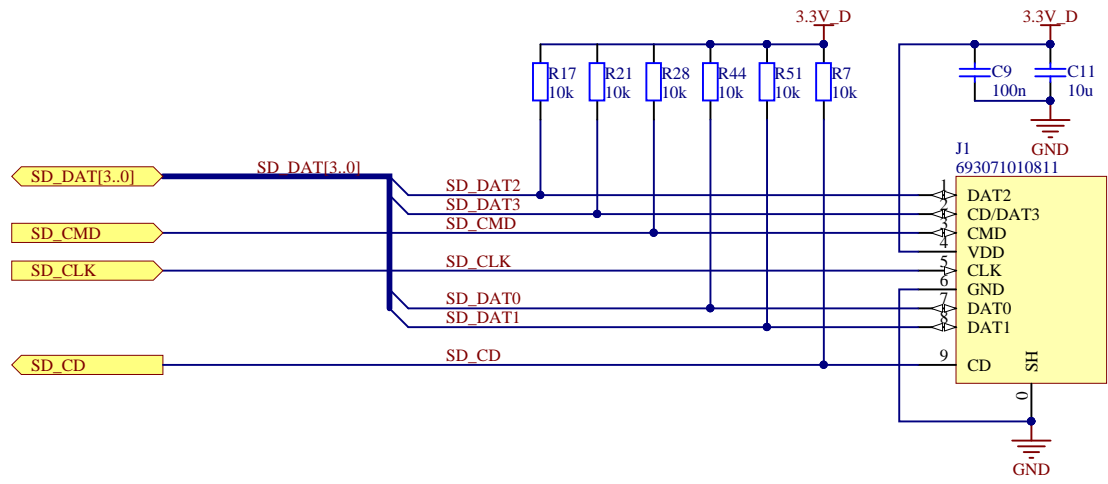
D





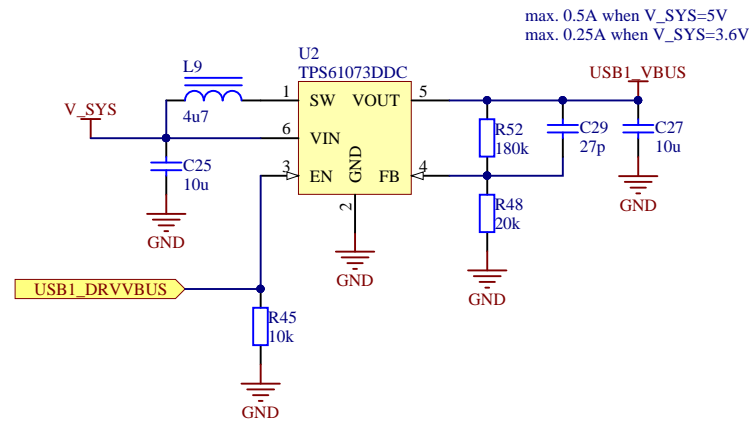
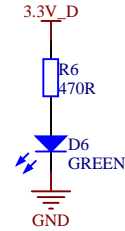
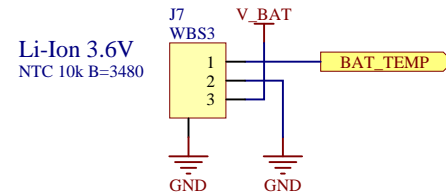
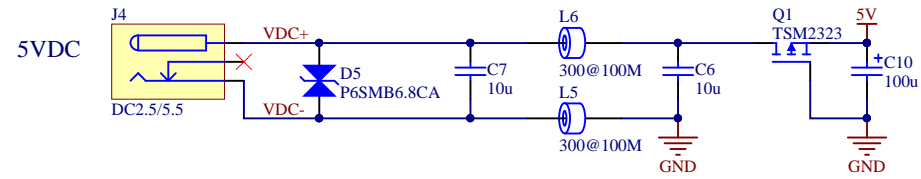
Title USB			
Size A4	Project chiliboard Professional	Rev 1.1.0	
Date 2016-03-31	Number *	Sheet 4 / 6	





Title		Micro SD Card Socket	
Size	A4	Project	chiliboard Professional
Date	2016-03-31	Rev	1.1.0
Number		Sheet 5 / 6	





Title		Power Supply	
Size	A4	Project	chiliboard Professional
Date	2016-03-31	Rev	1.1.0
	Number *	Sheet	6 / 6

